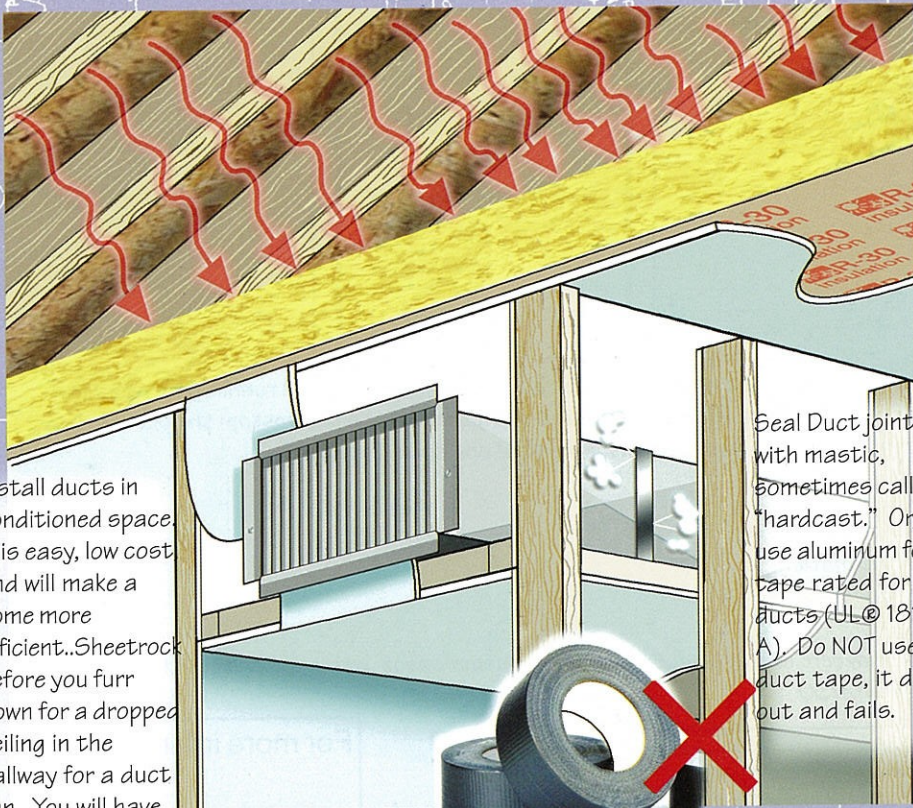


# DUCTS IN CONDITIONED SPACE

Leaky ducts account for up to 30% of total heating and cooling costs. Simple measures can be used to save hundreds of dollars in annual utility bills.

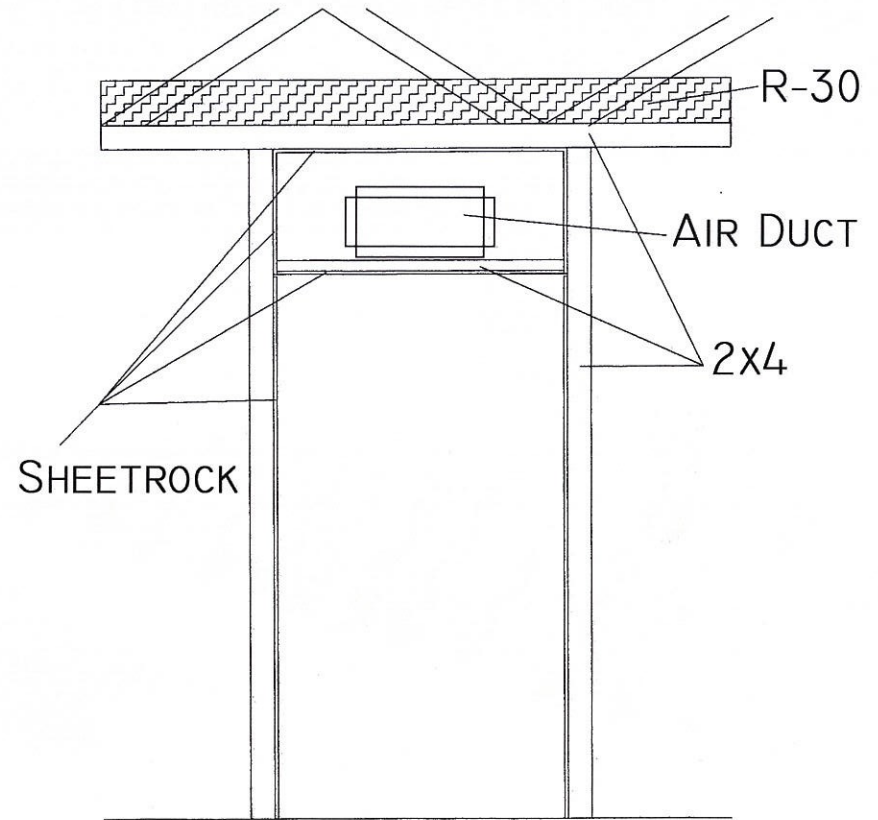
Temperature in attics can be extreme – over 140°F in summer and below freezing in winter. Insulating ducts to R-8 and installing them in the attic, where any leaks are to the outside, is very inefficient.



Install ducts in conditioned space. It is easy, low cost and will make a home more efficient. Sheetrock before you furr down for a dropped ceiling in the hallway for a duct run. You will have R-30 over your ducts and any leaks will be to conditioned space. Get tremendous gains in efficiency for very little cost and effort.

Seal Duct joints with mastic, sometimes called "hardcast." Or, use aluminum foil tape rated for ducts (UL@ 181-A). Do NOT use duct tape, it dries out and fails.

Duct Tape – it's NOT for Ducts! Duct tape has long been surpassed by better products. Use duct mastics or aluminum tape.



Install sheetrock before framing furr downs. For example, when running ductwork in a hallway, sheetrock the hall ceiling and down the walls to the bottom the planned furr down. This places ductwork within heated and cooled space.

More information:  
<http://ducts.lbl.gov/>

[http://www.eere.energy.gov/consumer/your\\_home/space\\_heating\\_cooling/index.cfm/mytopic=12730](http://www.eere.energy.gov/consumer/your_home/space_heating_cooling/index.cfm/mytopic=12730)



For more information: